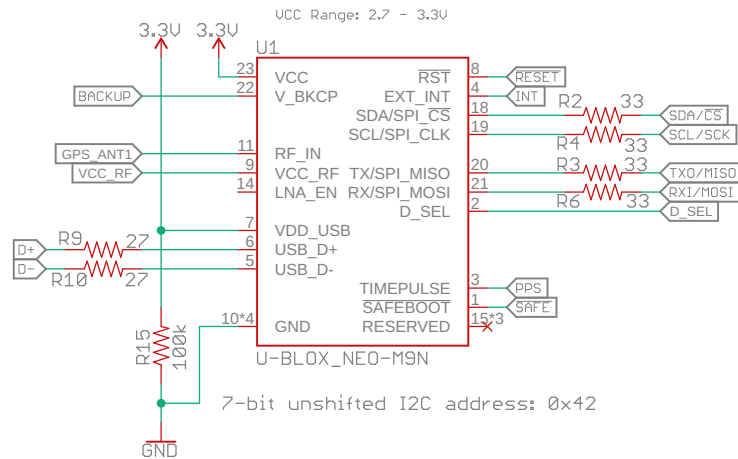
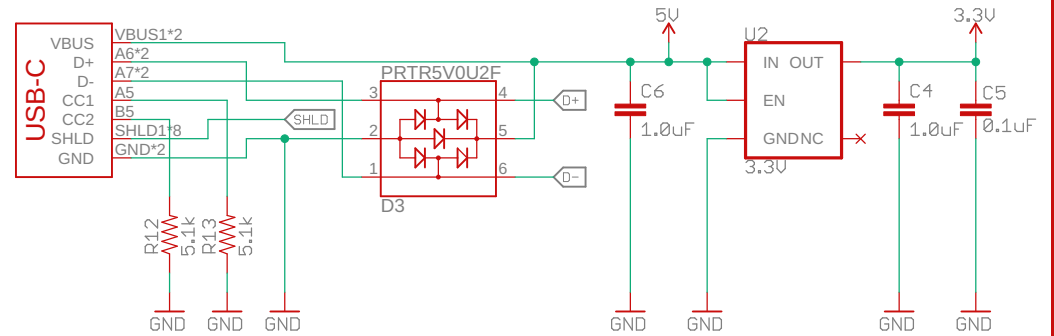


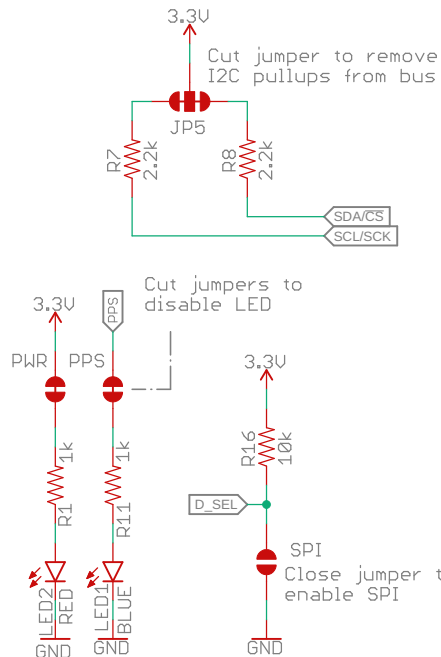
## GPS: u-Blox NEO-M9N



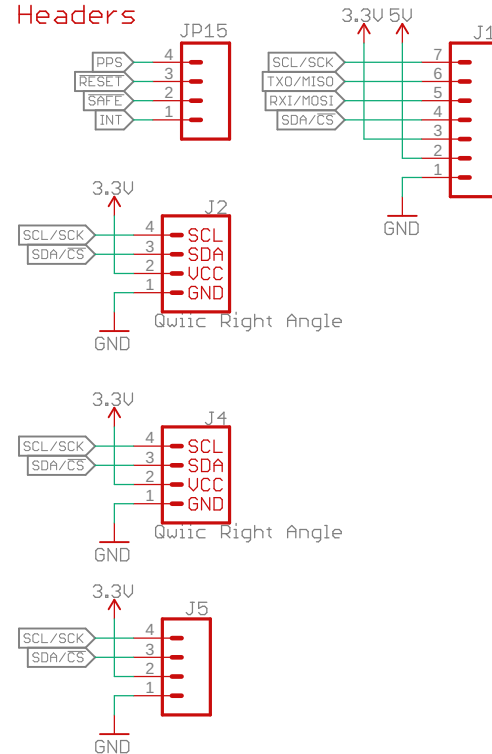
## USB Connector - Power



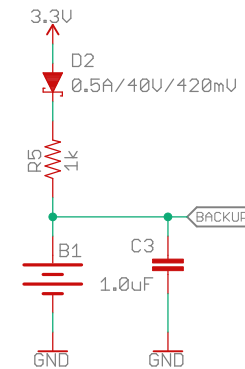
## LEDs and Jumpers



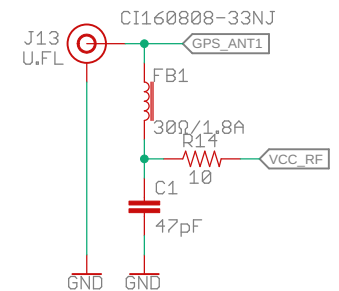
## Headers



## Hot Start Battery



## u.FL Antenna



Released under the Creative Commons

Attribution Share-Alike 4.0 License

<https://creativecommons.org/licenses/by-sa/4.0/>



TITLE: SparkFun GPS NEO\_M9N\_uFL

Design by: Elias Santistevan

Based on design by: Nathan Seidle

REV:

U10

Date: 12/18/2019 10:30 AM

Sheet: 1/1